

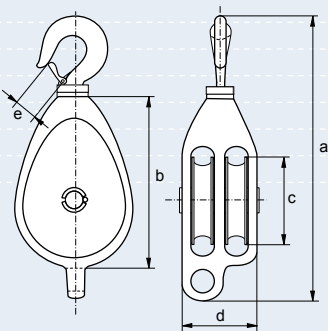
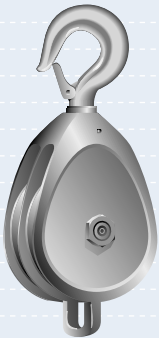
## Galvanised Malleable Iron Blocks

with eye, two sheaves, for use with fibre rope

- **Material** : Body, galvanised malleable iron  
: Sheave, grey iron plain bore
- **Safety factor** : MBL equals 5 x WLL
- **Finish** : hot dipped galvanised
- **Certification** : blocks have been individually proof load tested  
test certificates can be supplied upon request
- **Note** : the Working Load Limit is on the headfitting

| working load limit | diameter rope | length | length | diameter | thickness | width inside | length inside | weight each |
|--------------------|---------------|--------|--------|----------|-----------|--------------|---------------|-------------|
| tonnes             | mm            | a mm   | b mm   | c mm     | d mm      | e mm         | f mm          | kg          |
| 0.4                | 12            | 165    | 76     | 45       | 49        | 16           | 25            | 1.0         |
| 0.9                | 16            | 229    | 102    | 60       | 56        | 19           | 35            | 2.0         |
| 1.1                | 18            | 286    | 127    | 83       | 67        | 25           | 51            | 3.3         |
| 2                  | 24            | 343    | 152    | 92       | 89        | 32           | 56            | 5.5         |

- **Special Note** : also available steel sheaves with oil retaining sintered bronze bush or ball bearing for use with wire rope



## Galvanised Malleable Iron Blocks

with hook & safety catch, two sheaves, for use with fibre rope

- **Material** : Body, galvanised malleable iron  
: Sheave, grey iron plain bore
- **Safety factor** : MBL equals 5 x WLL
- **Finish** : hot dipped galvanised
- **Certification** : blocks have been individually proof load tested  
test certificates can be supplied upon request
- **Note** : the Working Load Limit is on the headfitting

| working load limit | diameter rope | length | length | diameter | thickness | width inside | weight each |
|--------------------|---------------|--------|--------|----------|-----------|--------------|-------------|
| tonnes             | mm            | a mm   | b mm   | c mm     | d mm      | e mm         | kg          |
| 0.4                | 12            | 194    | 76     | 45       | 49        | 16           | 1.0         |
| 0.9                | 16            | 248    | 102    | 60       | 56        | 27           | 2.0         |
| 1.1                | 18            | 305    | 127    | 83       | 67        | 32           | 3.3         |
| 2                  | 24            | 356    | 152    | 92       | 89        | 32           | 5.5         |

- **Special Note** : also available steel sheaves with oil retaining sintered bronze bush or ball bearing for use with wire rope