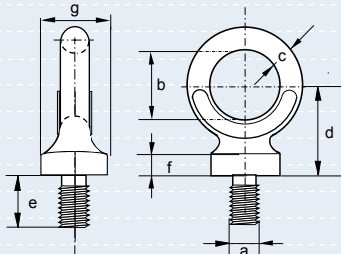


Dynamo Eyebolts - Quality Range

metric coarse thread

- **Material** : BS970-080A27 hardened and tempered
- **Safety Factor** : MBL equals 5 x SWL
- **Standard** : B.S. 4278 - table 3 - 1984
- **Finish** : self colour, electro-galvanised upon request
- **Certificates** : this product is supplied with a works certificate as standard
- **Note** : upon request a basic raw material and/or EC Declaration of Conformity is available
- **Special Note** : For vertical lift only



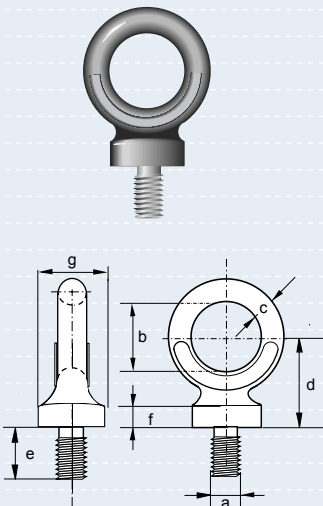
| safe working load | diameter thread | diameter eye inside | diameter eye | length base to centre | thread length | base height | diameter base | weight each |
|-------------------|-----------------|---------------------|--------------|-----------------------|---------------|-------------|---------------|-------------|
| tonnes | a mm | b mm | c mm | d mm | e mm | f mm | g mm | kg |
| 0.10 | 6 | 22 | 9 | 27 | 18 | 5 | 17 | 0.07 * |
| 0.15 | 8 | 22 | 9 | 27 | 18 | 5 | 17 | 0.07 * |
| 0.25 | 10 | 22 | 9 | 27 | 18 | 5 | 17 | 0.07 * |
| 0.32 | 12 | 22 | 9 | 27 | 18 | 5 | 17 | 0.07 |
| 0.50 | 14 | 32 | 13 | 41 | 28 | 9 | 29 | 0.24 * |
| 0.63 | 16 | 29 | 11 | 34 | 23 | 6 | 23 | 0.14 |
| 1.00 | 18 | 40 | 15 | 47 | 32 | 9 | 32 | 0.40 * |
| 1.25 | 20 | 40 | 15 | 47 | 32 | 9 | 32 | 0.40 |
| 1.60 | 22 | 44 | 17 | 53 | 35 | 14 | 35 | 0.61 * |
| 2.00 | 24 | 51 | 19 | 60 | 40 | 12 | 40 | 0.80 |
| 3.20 | 30 | 64 | 24 | 76 | 51 | 14 | 51 | 1.72 * |

sizes marked * are additional and proportional to the specification

Dynamo Eyebolts - Economy Range

metric coarse thread

- **Material** : high tensile steel
- **Finish** : self colour
: electro galvanised (zinc plated) available upon request
- **Certificates** : this product is supplied with a works certificate
- **Special Note** : for vertical lift only



| safe working load | diameter thread | diameter eye inside | diameter eye | length base to centre | thread length | base height | diameter base | weight each |
|-------------------|-----------------|---------------------|--------------|-----------------------|---------------|-------------|---------------|-------------|
| tonnes | a mm | b mm | c mm | d mm | e mm | f mm | g mm | kg |
| 0.10 | 6 | 22 | 9 | 27 | 18 | 5 | 17 | 0.07 |
| 0.15 | 8 | 22 | 9 | 27 | 18 | 5 | 17 | 0.07 |
| 0.25 | 10 | 22 | 9 | 27 | 18 | 5 | 17 | 0.07 |
| 0.32 | 12 | 22 | 9 | 27 | 18 | 5 | 17 | 0.07 |
| 0.50 | 14 | 29 | 11 | 34 | 23 | 6 | 23 | 0.14 |
| 0.63 | 16 | 29 | 11 | 34 | 23 | 6 | 23 | 0.14 |
| 1.25 | 20 | 40 | 15 | 47 | 32 | 9 | 32 | 0.40 |
| 2.00 | 24 | 51 | 19 | 60 | 40 | 12 | 40 | 0.80 |