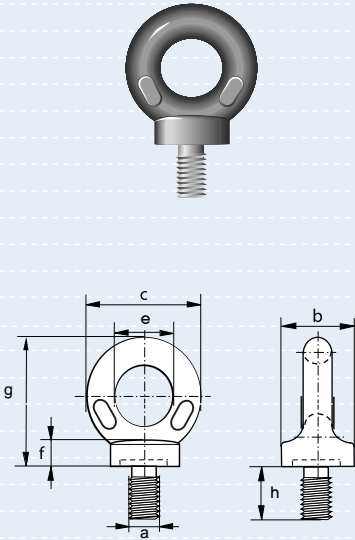


Collared Eyebolts - Quality Range

BSW thread

- **Material** : BS970-080A27 hardened and tempered
- **Safety Factor** : MBL equals 5 x SWL
- **Standard** : B.S. 4278 - table 4 - 1984
- **Finish** : self colour, electro-galvanised upon request
- **Certificates** : this product is supplied with a works certificate as standard
- **Note** : upon request a basic raw material and/or EC Declaration of Conformity is available
Also available with UNC, BSF and UNF threads



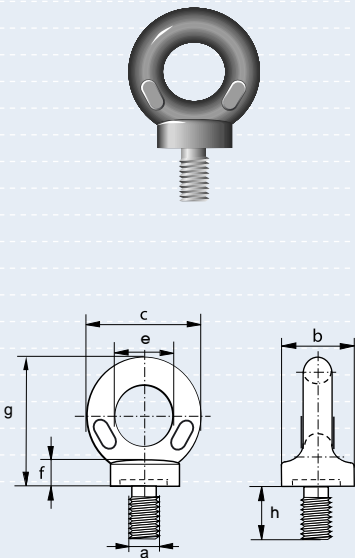
safe working load	diameter thread	diameter base	diameter eye outside	diameter eye inside	thickness collar	height	thread length	weight each
tonnes	a inch	b mm	c mm	e mm	f mm	g mm	h mm	kg
0.10	1/4	22	33	15	7	36	18	0.06 *
0.15	5/16	22	33	15	7	36	18	0.06 *
0.25	3/8	22	33	15	7	36	18	0.06
0.50	1/2	29	44	20	10	48	23	0.15
0.90	5/8	36	52	24	12	58	28	0.27
1.40	3/4	45	66	30	14	73	35	0.54
2.00	7/8	52	77	35	17	84	40	0.85
2.75	1	58	85	39	20	94	46	1.13
3.50	1 1/8	65	96	44	22	106	51	1.62
4.50	1 1/4	72	106	48	24	117	56	2.37
6.50	1 1/2	81	118	54	27	131	63	3.12 *
9.00	1 3/4	101	148	68	34	164	79	6.27
12.00	2	115	168	76	38	186	89	9.58

sizes marked * are additional and proportional to the specification

Collared Eyebolts - Economy Range

BSW thread

- **Material** : high tensile steel
- **Finish** : self colour
: electro galvanised (zinc plated) available upon request
- **Certificates** : this product is supplied with a works certificate



safe working load	diameter thread	diameter base	diameter eye outside	diameter eye inside	thickness collar	height	thread length	weight each
tonnes	a inch	b mm	c mm	e mm	f mm	g mm	h mm	kg
0.10	1/4	22	33	15	7	36	18	0.06
0.15	5/16	22	33	15	7	36	18	0.06
0.25	3/8	22	33	15	7	36	18	0.06
0.40	1/2	22	33	15	7	36	18	0.06
0.50	5/8	29	44	20	10	48	23	0.15
0.80	3/4	40	59	27	14	65	32	0.38
1.00	7/8	45	64	30	14	73	35	0.54
1.60	1	52	77	35	17	84	40	0.85